

SF100

IP Based Fingerprint Access Control & Time Attendance



The SF100 is an IP based fingerprint terminal works both in network and standalone modes. In network mode, it can connect with ZKAccess3.5 software for access control and time attendance management.

Wiegand output makes SF100 flexible to connect with ZK or any 3rd party controllers as a slave reader. Additionally wiegand input allows two units of SF100 to configure with each other and utilize Master & Slave solution, which requires user verification at both entrance and exit. Meanwhile, anti-passback function can be used to maximize the security.

Auxiliary input interface allows SF100 to connect with an external source, for instance, a smoke detector or emergency switch. Once the linkage function is enabled through the machine menu, the device would generate an alarm signal and open the door in case of emergency.

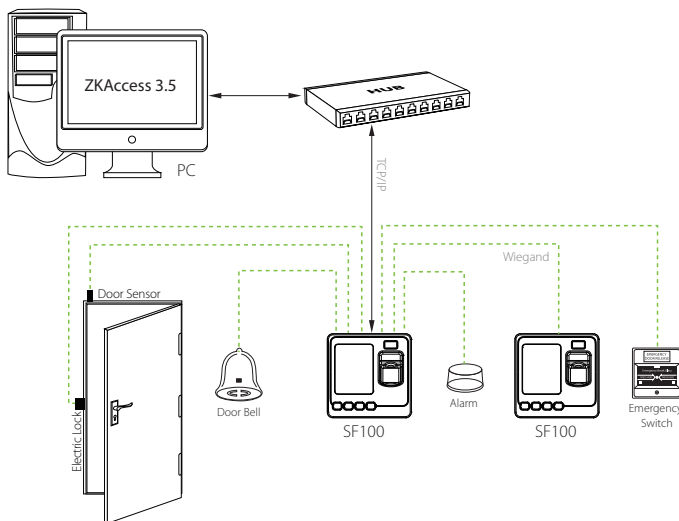
Feature

- 2.4-inch color display with graphical UI for easy operation
- Up to 24 user-defined schedules that can be activated on a daily bell alert (optional)
- Prompt audio acceptance or rejection signals for valid or invalid fingers
- Compact and lightweight, small size for 86mm (L) x 86mm (H) socket installation
- TCP/IP or RS485 communication for various networking environments
- Supports USB flash drive for offline data management
- Built-in auxiliary input with enhanced flexibility to link with wired detector or emergency switch
- Up to 15 multi-verification methods to enhance security level
- Standard access control features such as Time zone, Holiday, A&C Group, Unlock combination etc.
- Duress Alarm offers effective protection against duress by threats
- Tamper proof switch and multiple alarm outputs
- Multi-languages customizable

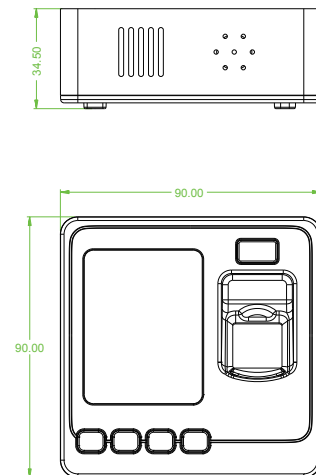
Specifications

| | |
|---------------------------------|--|
| Model | SF100 |
| LCD | 2.4-inch TFT (320 x 240) Color Screen |
| Fingerprint Sensor | ZK Optical Sensor (500DPI) |
| Algorithm Version | ZKFinger VX10.0 |
| Communication | TCP/IP, RS485, USB Host |
| Fingerprint Capacity | 1,500 |
| Card Capacity (Optional) | 5,000 (EM/Mifare) |
| Records Capacity | 80,000 |
| Access Control Interface | Electric lock, Door sensor, Alarm, Exit button, Doorbell |
| Wiegand Signal | Wiegand input & output |
| Aux. Input | 1ea for linkage function |
| Power Supply | DC 12V/3A |
| Operating Temperature | 0 ~ 45°C (32°~113°F) |
| Operating Humidity | 20 ~ 80% |
| Dimension(W x L x H) | 90 x 90 x 34.5mm |

Configuration



Dimensions (mm)



SAFE EYE
 Email:rajeev@safeye.in
 Phone:01145126776/9811470985
 Address:D-58 dayanand, block shakarapur delhi.

